

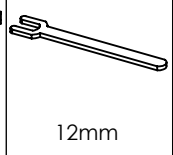
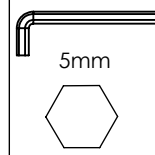


8 MINS

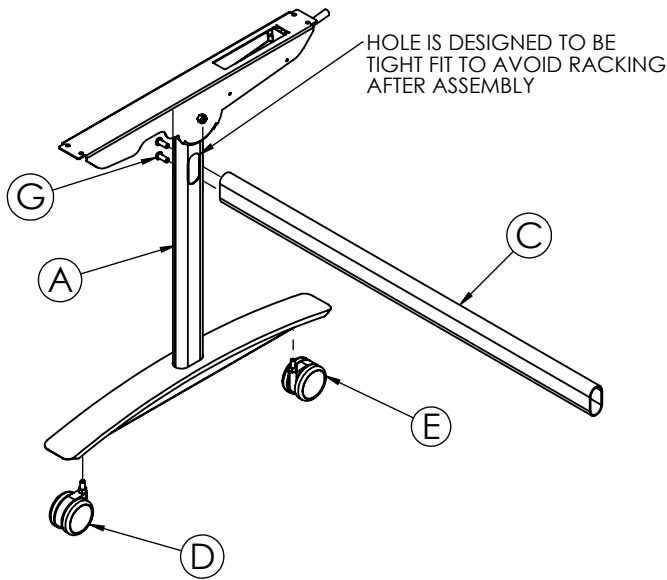


ASSEMBLY NOTES:

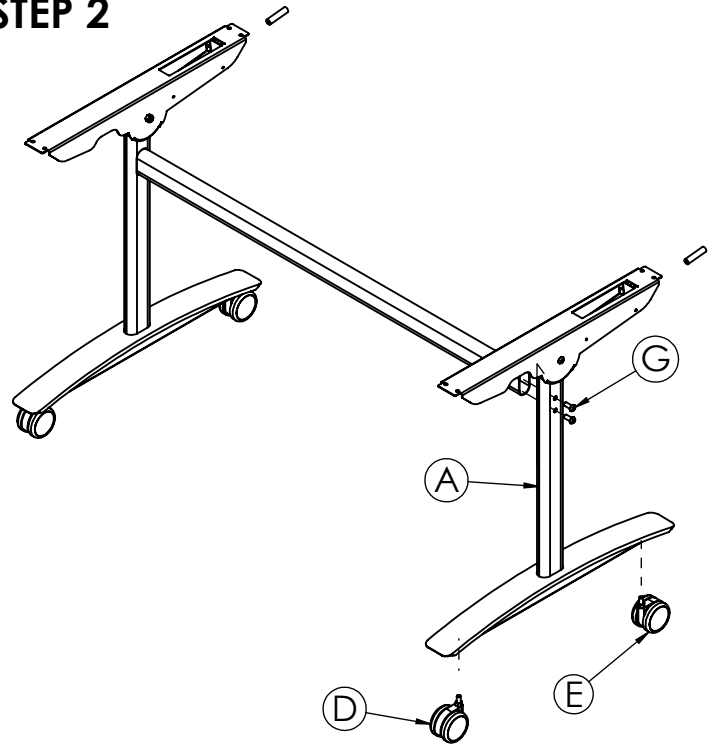
TO SIMPLIFY ASSEMBLY THE CASTOR PINS ARE SUPPLIED SEPERATLY FROM THE PLASTIC CASTOR. ONCE THE CASTOR PINS HAVE BEEN SCREWED INTO POSITION THE CASTOR CAN BE FITTED. PLEASE NOTE THE CASTORS ARE A TIGHT INTERFERENCE FIT ON THE PINS AND CONSEQUENTLY CONSIDERABLE FORCE MAY BE REQUIRED TO SNAP THE CASTOR INTO POSITION.



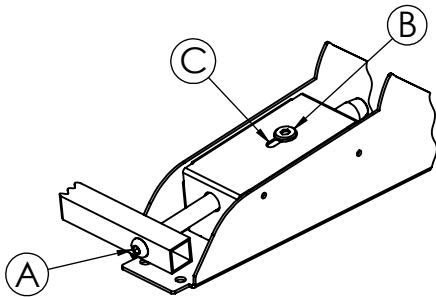
STEP 1



STEP 2



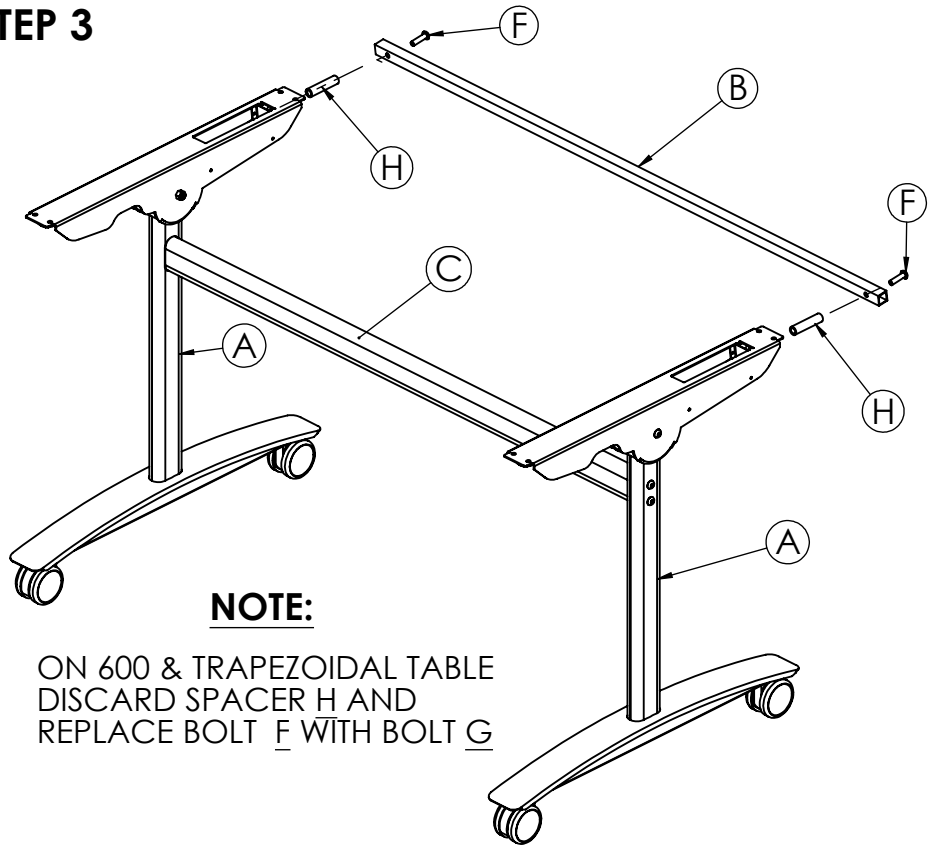
TROUBLE SHOOTING



WHEN BOLT "A" IS TIGHTENED DURING ASSEMBLY IT MAY CAUSE THE PLUNGER TO ROTATE CLOCKWISE. THIS CAN IN TURN CAUSE BOLT "B" TO BIND ON THE SIDE OF SLOT "C" IN THE PLUNGER HOUSING AND INTRODUCE SUFFICIENT RESISTANCE TO STOP THE SPRING PLUNGERS FROM WORKING PROPERLY.

TO OVER COME THIS PROBLEM TURN BOLT "A" ANTI-CLOCKWISE BY A FRACTION OF A DEGREE THUS CENTERING BOLT "B" IN SLOT "C" UNTIL THE SPRING PLUNGER OPERATES SMOOTHLY.

STEP 3



Pcs	A	B	C	D	E	F	G	H	I
Qty	2	1	1	2	2	2	6	2	