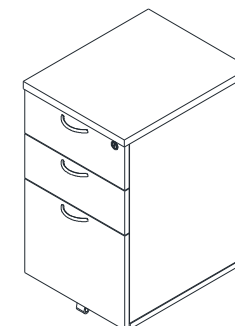


6.

7.

8.



Introducing: UDP3



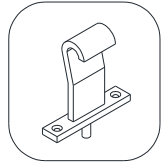
PLEASE NOTE  
Component Guarantee



- Place all laminated parts on a clean and smooth surface such as a rug or carpet.
- Remove all wrapping materials, including staples & packing straps before you start to assemble.
- Check to be sure that you have all parts and hardware.
- Don't tighten all screw/bolts until all completely assembled.
- Keep all hardware parts out of reach of children.
- It is recommended to require 2 people to complete the assembly.

FAILURE TO FOLLOW THESE WARNINGS CAN RESULT IN SERIOUS INJURY

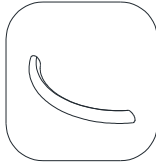
REMEMBER: AT LEAST EVERY 2 MONTHS, CHECK ALL BOLTS, SCREWS AND KNOBS TO BE SURE THEY ARE TIGHT



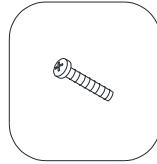
A: Front Drawer Support  
x 1



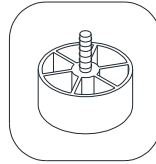
B: 3,5x18 Screw  
x 2



C: 96 mm Handle x 3



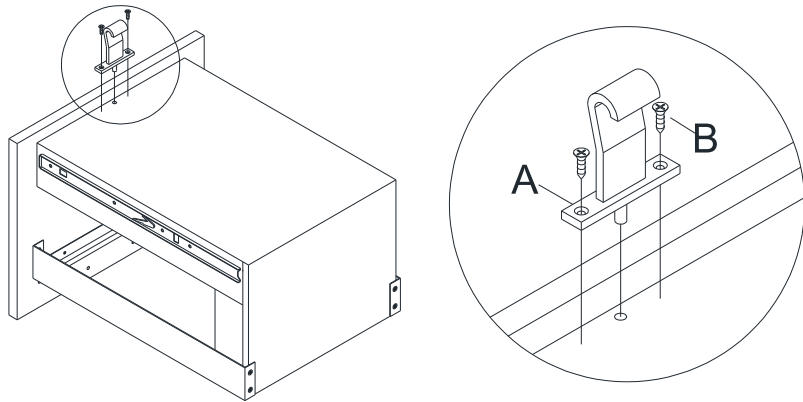
D: M4x22 Screw x 6



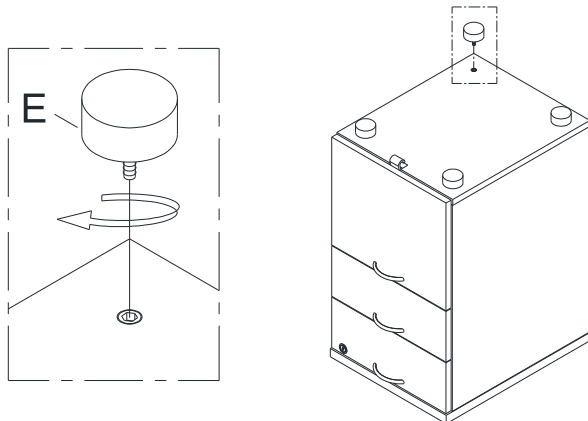
E: Height Adjustable  
x 4



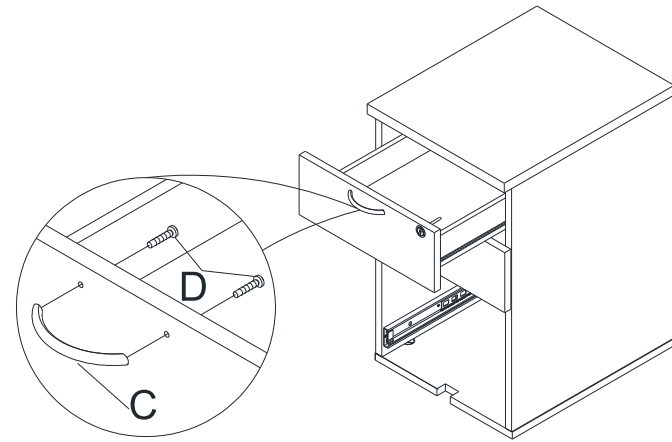
1.



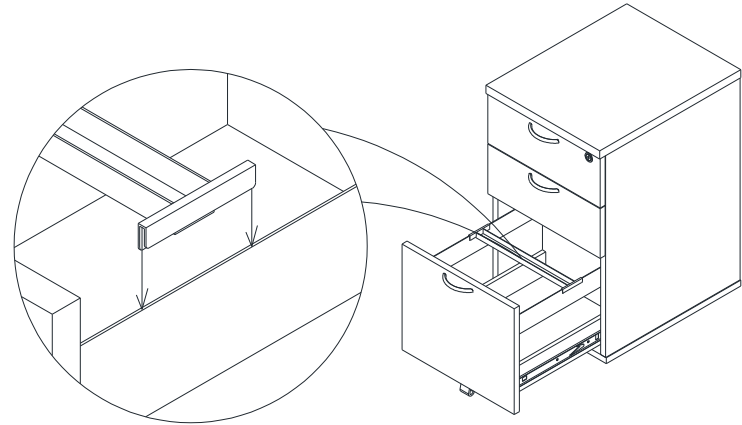
2.



3.



4.



5.

